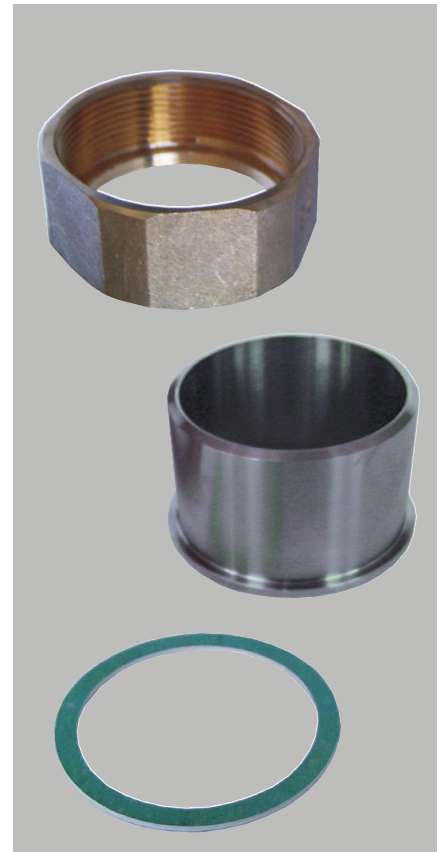


# Connection for welding

For standard thread-connections of SWEP BPHE the welding sleeve with union nut can be used to connect pipes with the connection of the heat exchanger. According to the quality of the used medium the welding sleeve can be chosen in carbon or stainless steel.

SWEP accessories meet the same high standards as the company's BPHEs. They are produced according to SWEP's specification by rigorously selected suppliers. The high-quality materials are carefully chosen for compatibility, while the accurate dimensions save you time and money on installation. With SWEP accessories you have the assurance that everything will fit and perform the way the design engineers intended.

For more information, please contact your local SWEP representative.

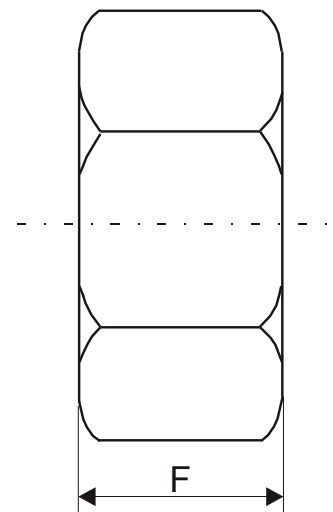
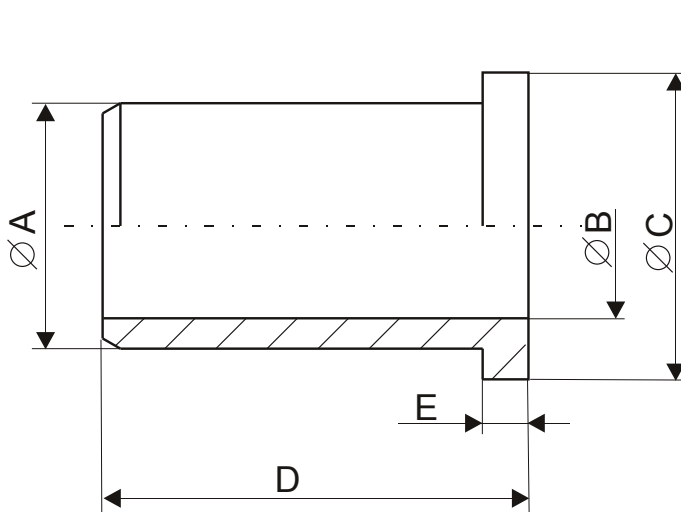


Nominal diameter	A (mm)	B (mm)	C (mm)	D (mm)	E (mm)	F (mm)	Opening of the spanner
3/4"	20,5	15,0	23,3	30	3,0	14	30
1"	26,0	20,0	30,0	30	3,0	15	37
1 1/4"	32,0	28,0	38,8	32	4,0	18	46
1 1/2"	40,0	32,8*	44,8	40*	4,0	19	52
2"	48,0	40,0	56,0	32	4,0	24	66
2 1/2"	66,2	60,0	72,0	50	4,0	30	80

\* for CS: B=35mm, D=32mm

The used gasket has a thickness of 2 mm

Material	
Union nut	MS58
Soldering sleeve	Welding sleeve carbon steel (St 37-2) or stainless steel (W 1.4571)
Gasket	Hecker-Centellen WS 3820



[www.swep.net](http://www.swep.net)

**SWEP**  
A DOVER COMPANY