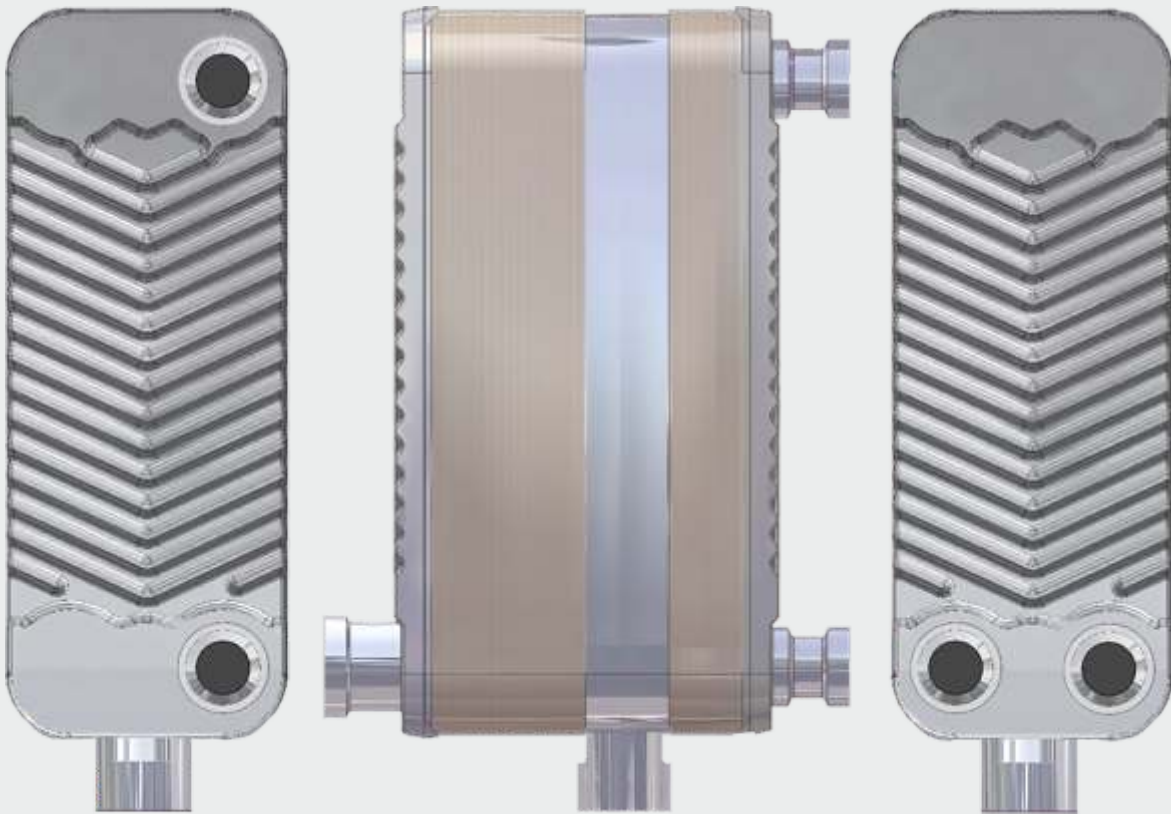


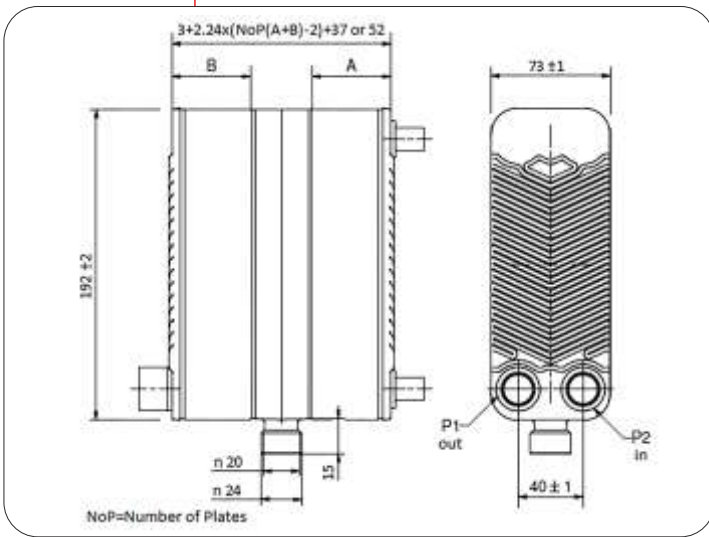
ADWIS

35, 50, 60, 80, 100



SWEP's ADWIS series combines two BPHEs (a refrigerated heat exchanger and a recovery unit) sandwiching an integrated separator in a modular design. ADWIS models 35, 50, 60, 80 and 100 are suitable for applications of 15-100 Nm³/h, yet have a very compact envelope of only 192 mm (7.56 inch) x 73 mm (2.87 inch) x 187 mm (7.36 inch) (max). Other advantages of this cost-effective solution include stable high performance, convenient drainage and simple insulation.

ADWIS | 35, 50, 60, 80, 100



Airdryer design specification:

The design specification is set to correspond with the thermal specification of airdryer sizes 5 and 12 with an integrated separator.

Design specification:

R134a $t_0 = 0^\circ\text{C}$ (32°F). Air $t_{\text{dew}} = 3^\circ\text{C}$, $dp = 20 \text{ kPa}$ $t_{\text{in/out}} = 8-10 \text{ K}$

Maximum working pressure:

16 bar (232 psi) on air circuit
31 bar (450 psi) on refrigerant circuit

Static pressure strength:

According to PED with correspondence to stated working pressure.

Channel plate measurement:

192 mm (7.56 inch) x 73 mm (2.87 inch)

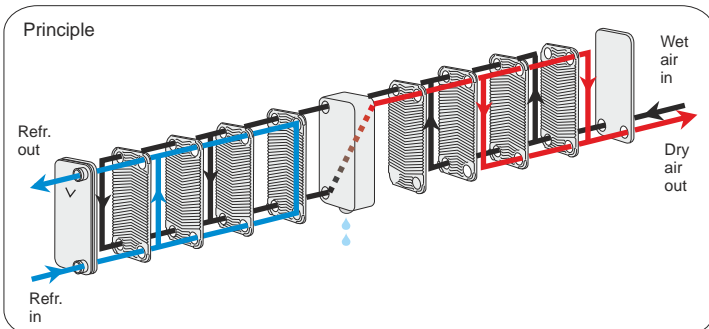
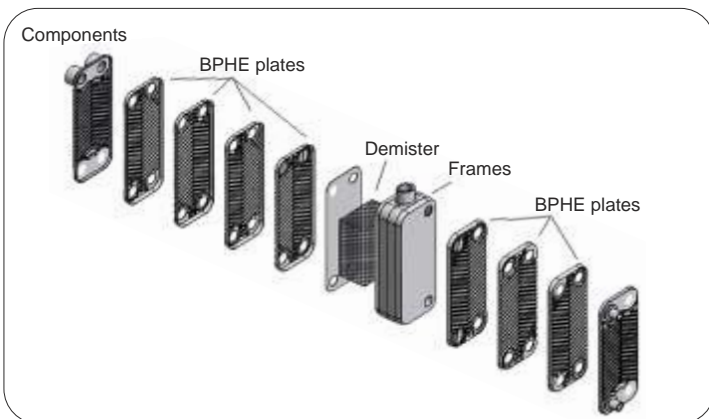
Material specification:

BPHE parts in stainless steel

- Channel plates, Cover plates, Start/End plates, Connections

Separator:

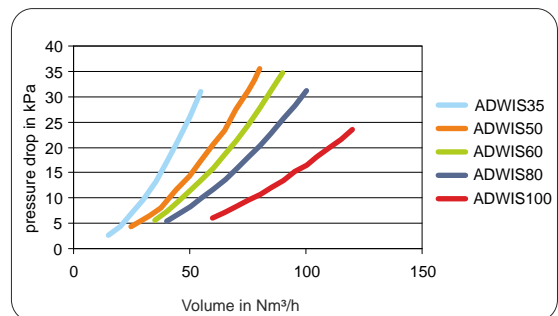
- Frame, Support pins, Cover plates, Thread extender, Demister



Range	Volume in Nm ³ /h*	SCFM
ADWIS 35	15 – 35	– 20
ADWIS 50	35 – 50	20 – 30
ADWIS 60	50 – 60	30 – 35
ADWIS 80	60 – 80	35 – 50
ADWIS 100	80 – 100	50 – 60

* Design data: 8 bar (116 psi) (abs), $t_{\text{dew}} = 3^\circ\text{C}$ (37.4°F), $dp = 20 \text{ kPa}$ $t_{\text{in-out}} = 8-10 \text{ K}$

Size (Nm ³ /h)	NoP A	NoP B	Separator (external width) mm (inch)	Separator (internal width) mm (inch)	Total PP measurement mm (inch)
35	8	13	37 (1.45)	35 (1.37)	82.5 (3.25)
50	10	19	37 (1.45)	35 (1.37)	100.5 (3.95)
60	12	21	37 (1.45)	35 (1.37)	109.4 (4.30)
80	16	23	52 (2.04)	50 (1.96)	137.9 (5.43)
100	24	37	52 (2.04)	50 (1.96)	187.2 (7.37)



Port	Connection size
Refr. inlet	10 mm (0.39 inch)
Refr. outlet	10 mm (0.39 inch)
Air inlet	¾" Int or 22U
Air outlet	¾" Int or 22U

Drainage:

½" Int

Max connection outer diameters:

The connections are limited in max outer diameter due to the port layout on the channel plate.

Demister:

wire- \varnothing 0,28 mm (0.011 inch), free volume approx. 98.5%, specific surface approx. 203m²/m³, package density 120 kg/m³

Efficiency rate:

5m = 93% 10m=99.9%

Max number of plates:

61 plates when 50 mm (1.96 inch) separator is used

Standard connection height:

20 mm (0.78 inch)

Maximum size welding bolts:

Fixation with integrated frontplate.

SWEP

A DOVER COMPANY

www.swep.net